

Moisture Control

b/s/t ALIT Control Pipe Bitumen

Testing device for non-destructive moisture control on insulated flat roofs

Specification ←

Material
Aluminium

Including PVC Control Pipe Cap (removable, high impact strength, UV-stabilized) with sealing ring and EPS-foam Pipe Core

Maximum pipe length
max. 1000 mm

Special model*

– Pipe length selectable up and down

Membrane flange

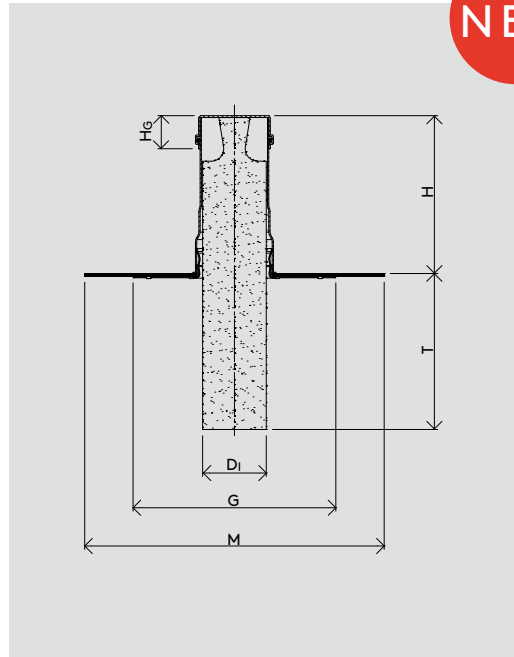
SBS bitumen roofing membrane

According to Ö-Norm B3691, additional service operations are required for roofs in use category K3. One of these service requirements is the installation of detection systems that enable non-destructive moisture control.

INFO

Please order ←
membrane
flange
separately

Special models ←
on request*



WG 1211 ←

Nominal Width	Product No.	$D_i \text{ [mm]}$	$G \text{ [mm]}$	$M \text{ [mm]}$	$H \text{ [mm]}$	$H_g \text{ [mm]}$	$T \text{ [mm]}$
DN 100	A112-B100	102	325	480	253	53	250

* Custom-made products cannot be returned.

Status: 03.22 b/s/t GmbH Koch Kunststofftechnologie reserves the right to make technical modifications.